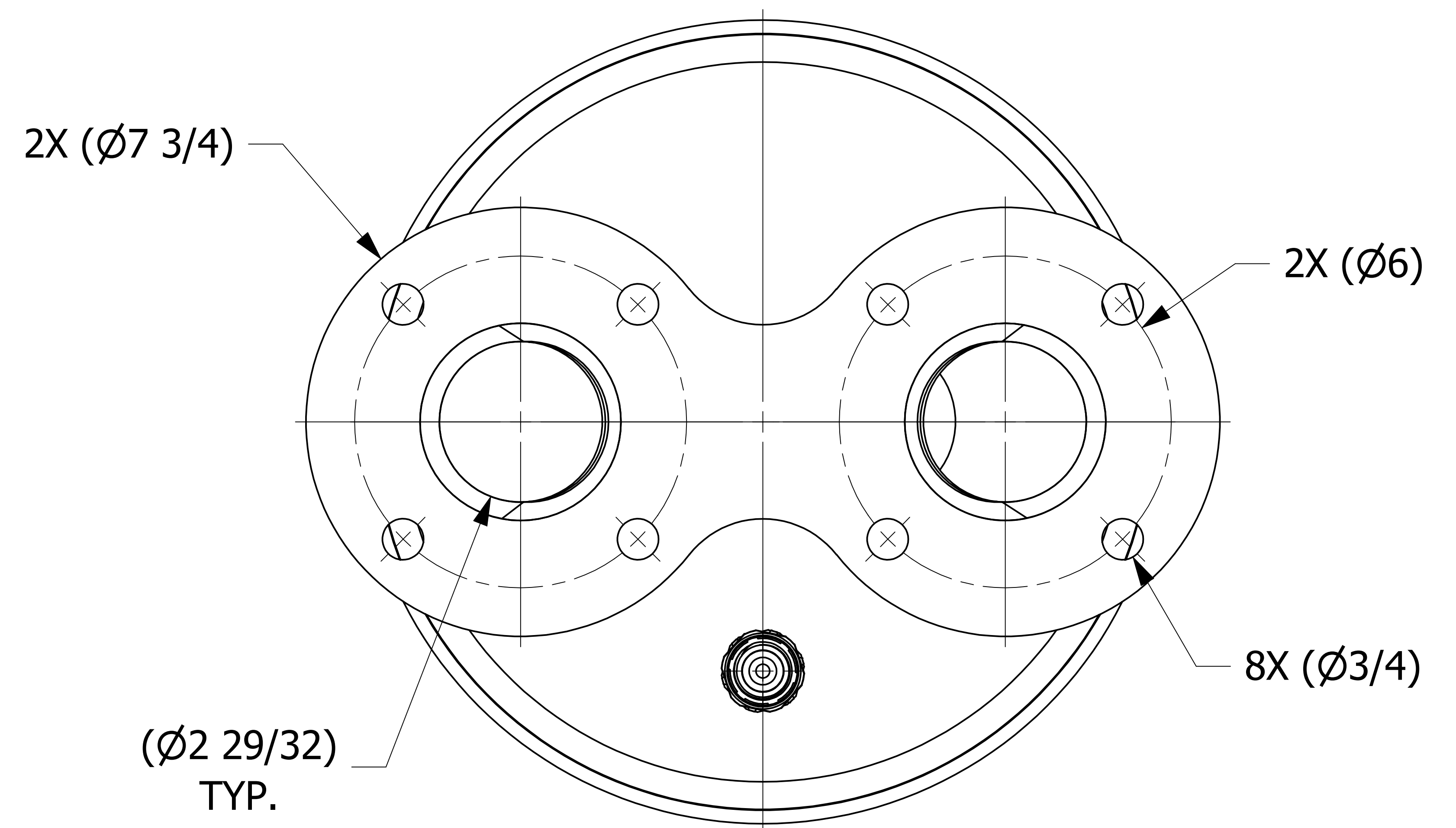
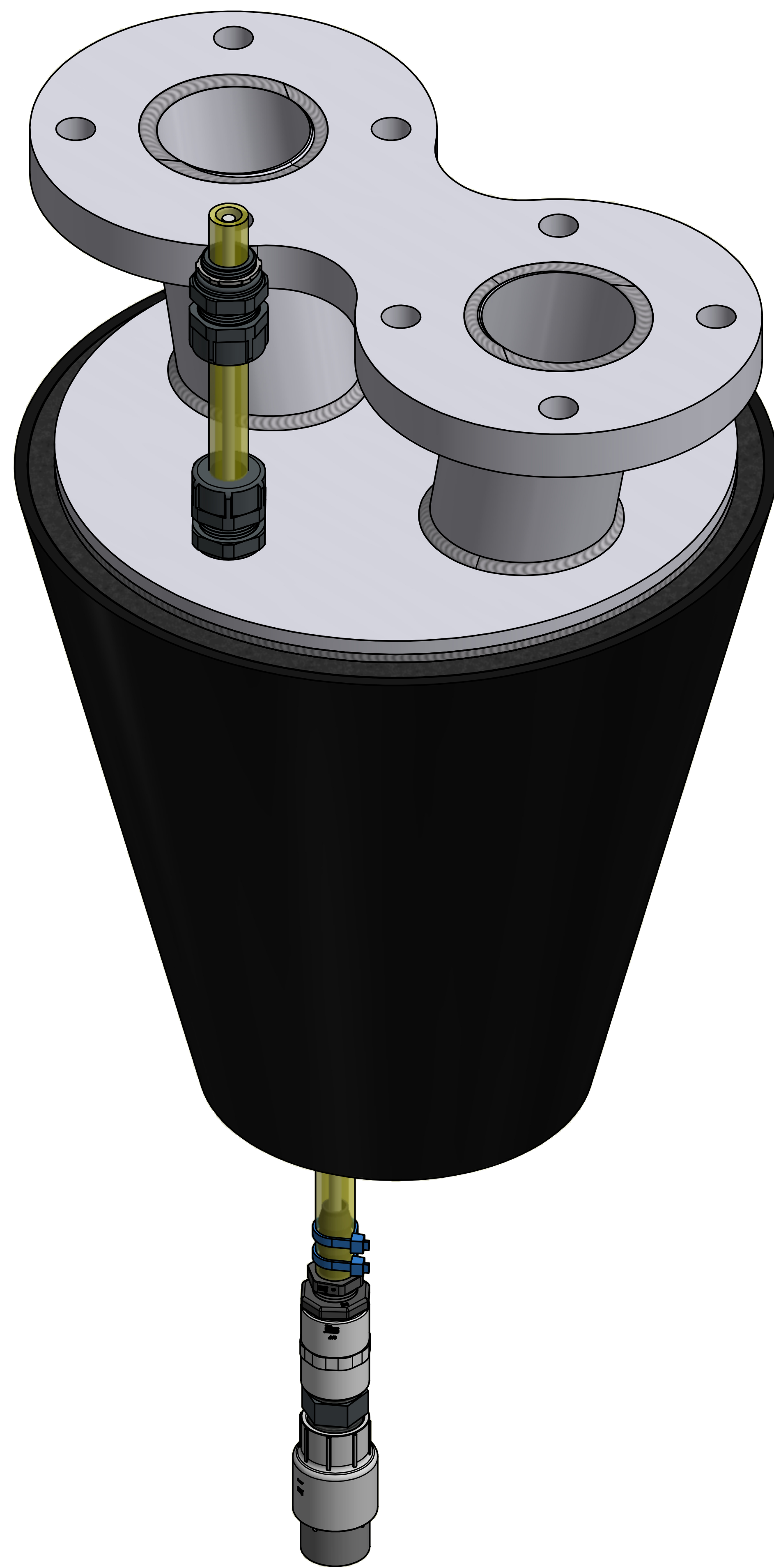


SALES DRAWING SALES DRAWING SALES DRAWING

SALES DRAWING SALES DRAWING SALES DRAWING



NOTE:
 WHEN SOLD, ASK CUSTOMER IF THEY REQUIRE POWER ADAPTER ASSEMBLY C41534. HSCSLSLSA RUNS OFF 12 OR 24 VDC. C41534 IS A CONVERTER BOX FROM 120-240VAC TO 12-24VDC.

REV	BY	DATE	DESCRIPTION
D	DGP	3-8-17	REMOVED C26589 & HSCG12X0708BP ADDED (1) HSCSLSLSA & NOTES
C	TAK	3-18-14	REMOVED RNDTUBE12716FEP FROM THE BOM
B	TAJ	4-23-12	UPDATED HSCSL3PP
A	BG	1-11-12	NEW PART ADDED TO NETWORK

UNLESS OTHERWISE SPECIFIED DIMENSIONAL TOLERANCES FRACTIONAL: ±1/16 X.XX: ±.03 X.XXX: ±.015 ANGULAR: ±1° DEBURR ALL SHARP EDGES. ALL MACHINED SURFACES TO HAVE A 125 RMS FINISH UNLESS NOTED OTHERWISE.	DRAWN BY: GDS
THIRD ANGLE PROJECTION	CHECKED BY: WRB
	PROTOTYPE BY: GDS
	PROTOTYPE DATE: 8/19/2011
	APPROVED FOR PRODUCTION BY: WRB
	PRODUCTION DATE: 1/11/2012

SALCO PRODUCTS, INC.

LOADING SPOUT ASSEMBLY

MATERIAL: **PVC & PP/EPDM**

PROJECT #: **110816** SHEET #: **1 OF 1** SCALE: **2:3**

DRAWING #: **E31358** PART #: **HSCSL31358**